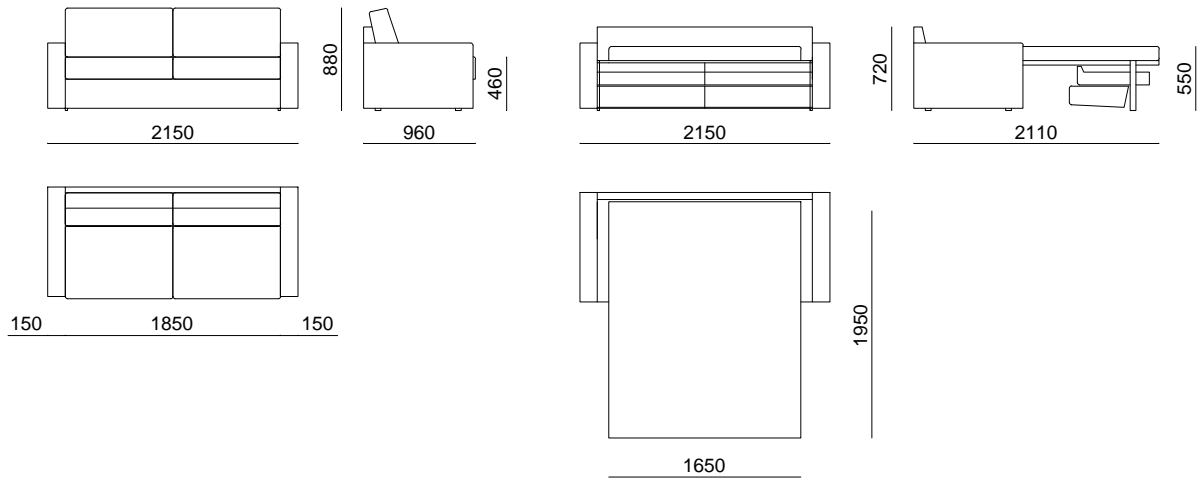
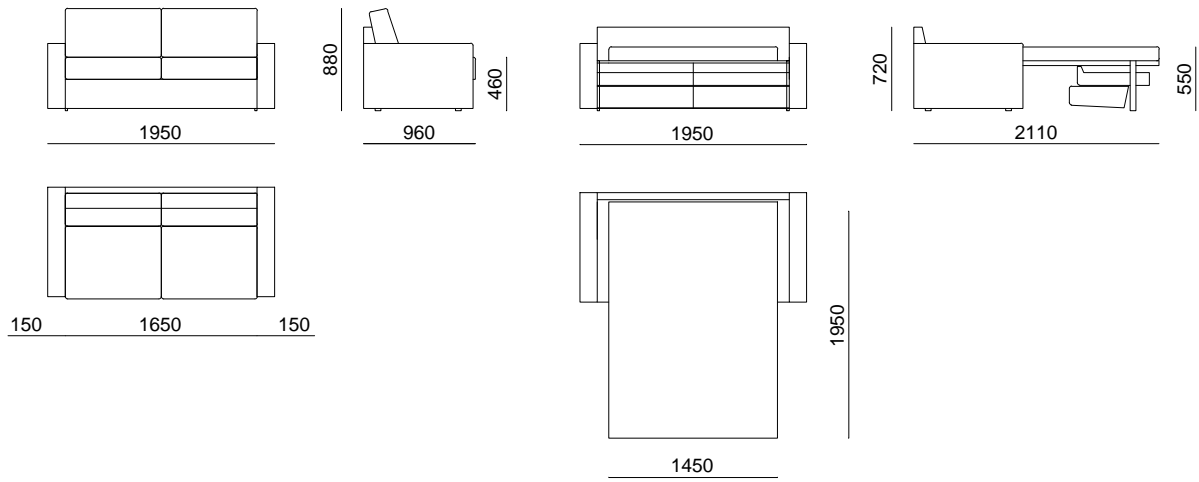


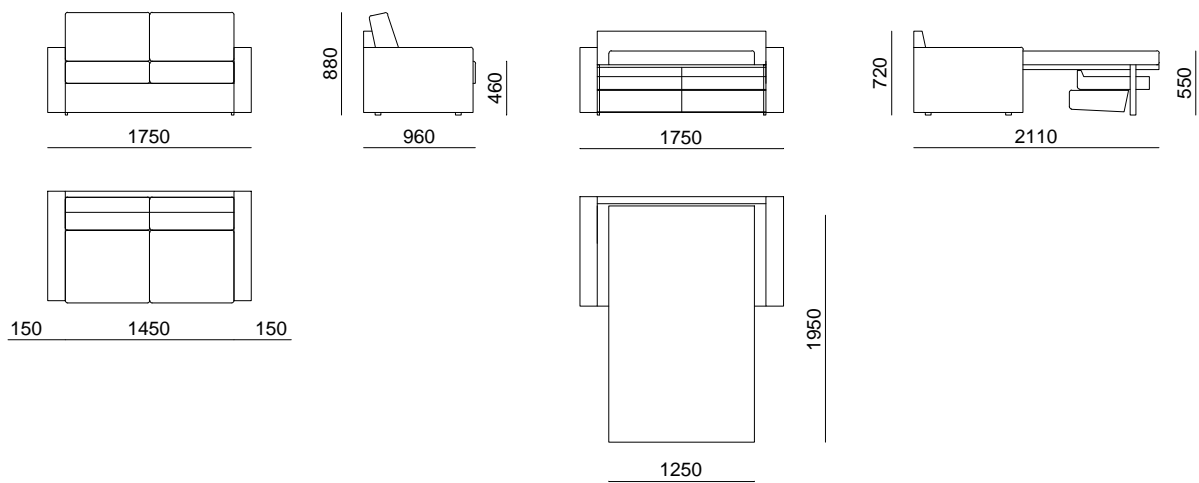
**FLEXI 10 3sed**



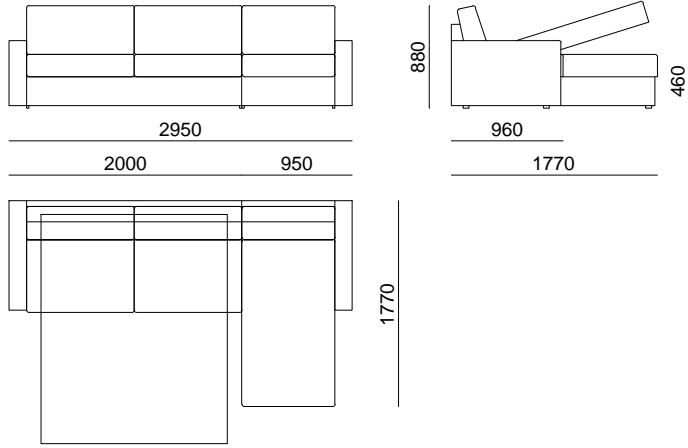
**FLEXI 10 2,5sed**



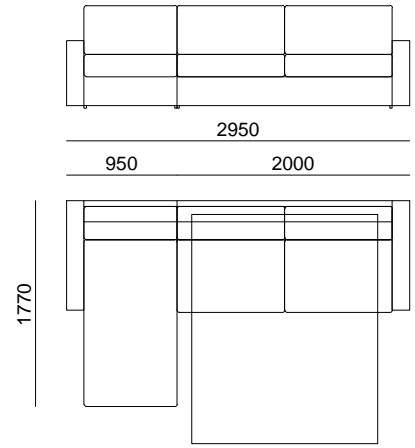
**FLEXI 10 2sed**



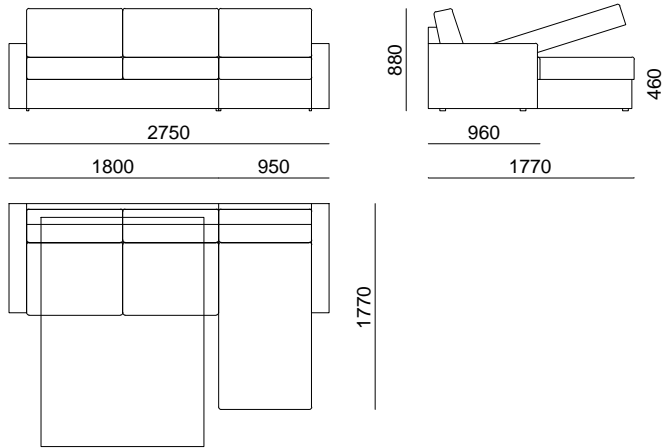
**FLEXI 10 3sed-L + LU-P**



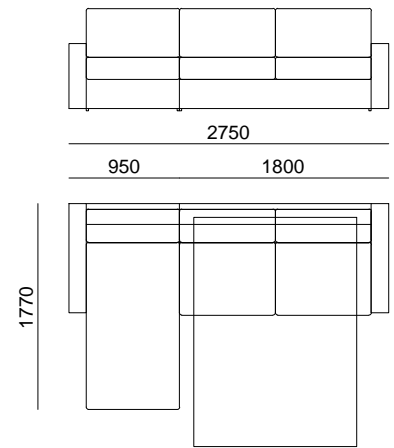
**FLEXI 10 LU-L + 3sed-P**



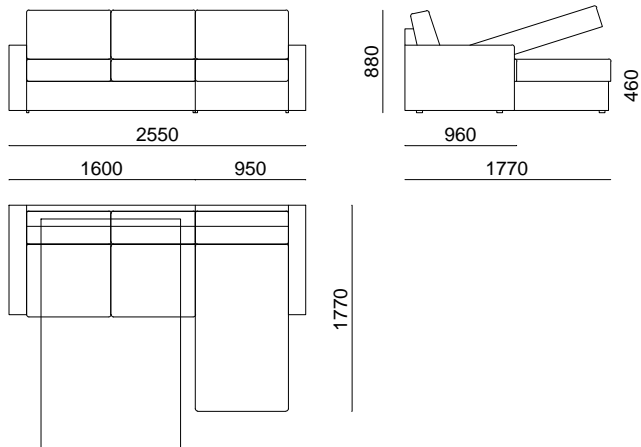
**FLEXI 10 2,5sed-L + LU-P**



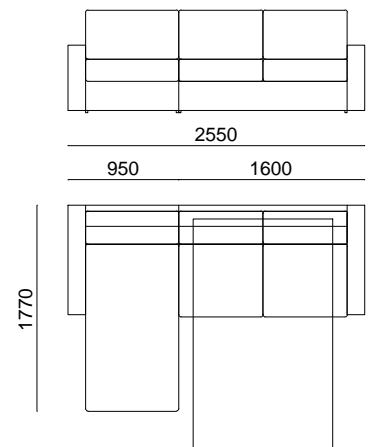
**FLEXI 10 LU-L + 2,5sed-P**



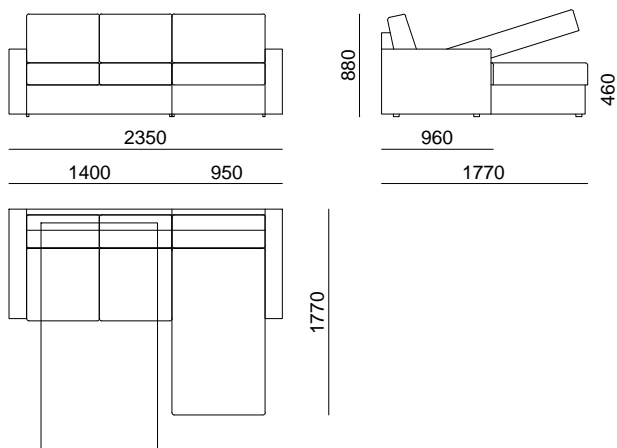
**FLEXI 10 2sed-L + LU-P**



**FLEXI 10 LU-L + 2sed-P**



**FLEXI 10 1,5sed-L + LU-P**



**FLEXI 10 LU-L + 1,5sed-P**

